

8" Inset Lights

8-5" ADAPTOR RING

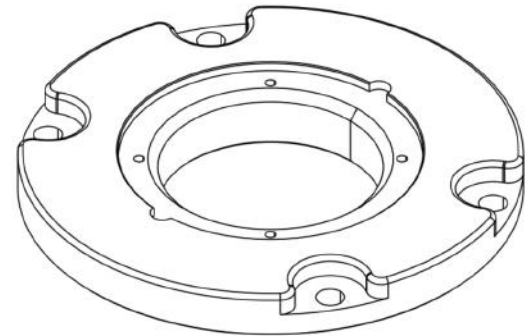
The 5-8" Adaptor Ring is designated for the installation of any BATT 5" LED Inset Lights into the 8" Shallow Base.

Key Features

- Compatible with BATT 5" LED Inset Lights
- Flush fit into 8" shallow base
- Watertight due to radial sealing
- Integrated electrical deicing kit optional available
- High bearing strength
- Low maintenance effort with recommended mounting concept

Design Concept

- Accrediting IEC 61827
- Corrosion resistant material
- Easy installation



Referred Standards

The 5-8" Adaptor Ring complies with the following industry regulations:

- FAA AC 150/5345-46E Specification for Runway and Taxiway Light Fixture/ 2016
- IEC TS 61827 Electrical installations for lighting and beaconing of aerodromes/ 2014

Product Specifications

Mechanical Data

Height	Total / Above Surface	28.5mm / 0mm
Installation Diameter	Outer / Mid / Inner	Ø203mm / Ø90mm / Ø122mm
Bearing Strength	11t	
Weight	2.6kg	
Packing Dimensions	220 x 220 x 35mm	
Gross Weight	3.0kg	
Material	Adaptor Ring	Aluminium
	Sealing	EPDM
Recommended Mounting	5" LED Inset Light	4x M5x10mm
	Adaptor Ring	4x M10x30mm (MagentaLock Safety Bolts)

Product Specifications

Electrical Data

Electrical Deicing Kit	Amount of heat radiator	6
	Operating Voltage / Current	24VDC / 6.6A
	Power Consumption	20W
	Connector	2x 1.5mm ² with ferrules / FAA L-823 Style 6

Accessories

5" LED Inset Light (2IL5-FF-24 / 2IL5-SF-24 / 2IL5-FF-616 / 2IL5-SF-616)

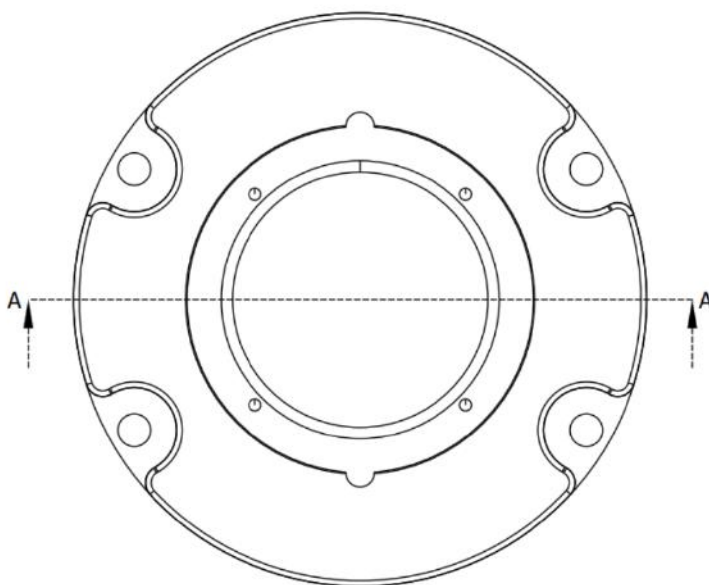
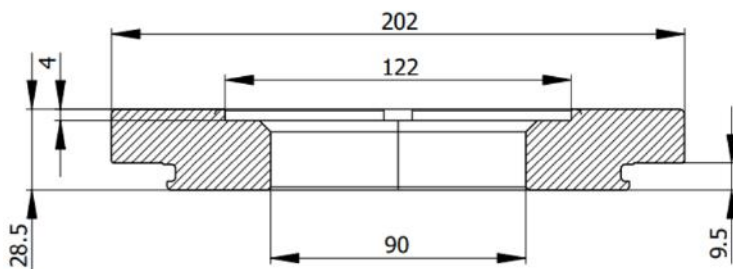
M10x30mm (MagentaLock Safety Bolts)

8" Shallow Base (2IL5-SB)

5" Adaptor (2IL5-AD)

Sealing

Dimensions



Product Variants and Order Code

Order Code	Electrical Deicing	
2IL8-AR-85		
2IL8-AR-85-EDK	x	

Imprint

Adress	BATT Suisse GmbH Sonnentalstrasse 8 8600 Dübendorf Switzerland
--------	---

E-Mail	info@batt-suisse.ch
--------	---------------------

Telephone	+41 43 333 81 57
-----------	------------------

Website	www.batt-suisse.ch
---------	--------------------

Published	07.12.2021
-----------	------------

Copyright	BATT Suisse GmbH reserves the right to change technical data and details at any point in time. Errors may occur. All rights reserved. Publication, copying, distribution, exhibition, representation and/or reproduction in any form or utilization are explicitly prohibited without prior approval by BATT Suisse GmbH.
-----------	---
