

Elevated Obstacle Light

LED OBSTACLE LIGHT MASTER RADIO CONTROLLER

The Obstacle Light Master Radio Controller is dedicated to controlling and monitor individually up to four BATT LED obstruction lights in combination with Radio Receivers. An integrated antenna ensures wireless control over the illumination of aviation obstacles.

Key Features

- Wireless control of up to 4 obstacle light within 1km distance
- Secure radioconnection by 126bit encryption
- No control line necessary
- Optimized sealing concept against the intrusion of liquids and dust - IP 67 (IEC69598-1)
- 10 Cage clamp connectors
- Dry contact failure monitoring output
- CE certified

Design Concept

- Compact design with integrated antenna
- Simple mounting concept

Product Specifications

Mechanical Data

Height	116mm
Width	90mm
Depth	60.5mm
Net Weight	0.25kg
Packing Dimensions	190 x 190 x 160mm
Gross Weight	0.4kg
Material	PC (UV stabilized)
Protection Class	IP67 (IEC69598-1)
Recommended Mounting	4x M4 screws



Product Specifications

Electrical Data

Operating Voltage	24VDC ±4V	
Operating Current	With Light	150mA (24VDC)
Cage Clamp	10x 0.75-1.5mm ²	
Cable Glands	Power Supply & Monitoring	Ø4 - 10mm
	Power Supply Main Light	Ø3.5 - 7mm
Cage Clamp Allocation	J1	Power Supply L1 (24VDC)
	J2	Power Supply L1 (0V, Ground)
	J3	Failure Output
	J4	Unoccupied
	J5	Unoccupied
	J6	Unoccupied
	J7	Digital Input Receiver 1 (24VDC)
	J8	Digital Input Receiver 2 (24VDC)
	J9	Digital Input Receiver 3 (24VDC)
	J10	Digital Input Receiver 4 (24VDC)
Receiver Sequence Setting	Receiver 1	Jumper 0: 0 / Jumper 1: 0
	Receiver 2	Jumper 0: 1 / Jumper 1: 0
	Receiver 3	Jumper 0: 0 / Jumper 1: 1
	Receiver 4	Jumper 0: 1 / Jumper 1: 1

Radiocommunication Data

Range	1km (Line of sight)
Security	128bit encryption
Interconnection	According IEEE 802.15.4/ 2003

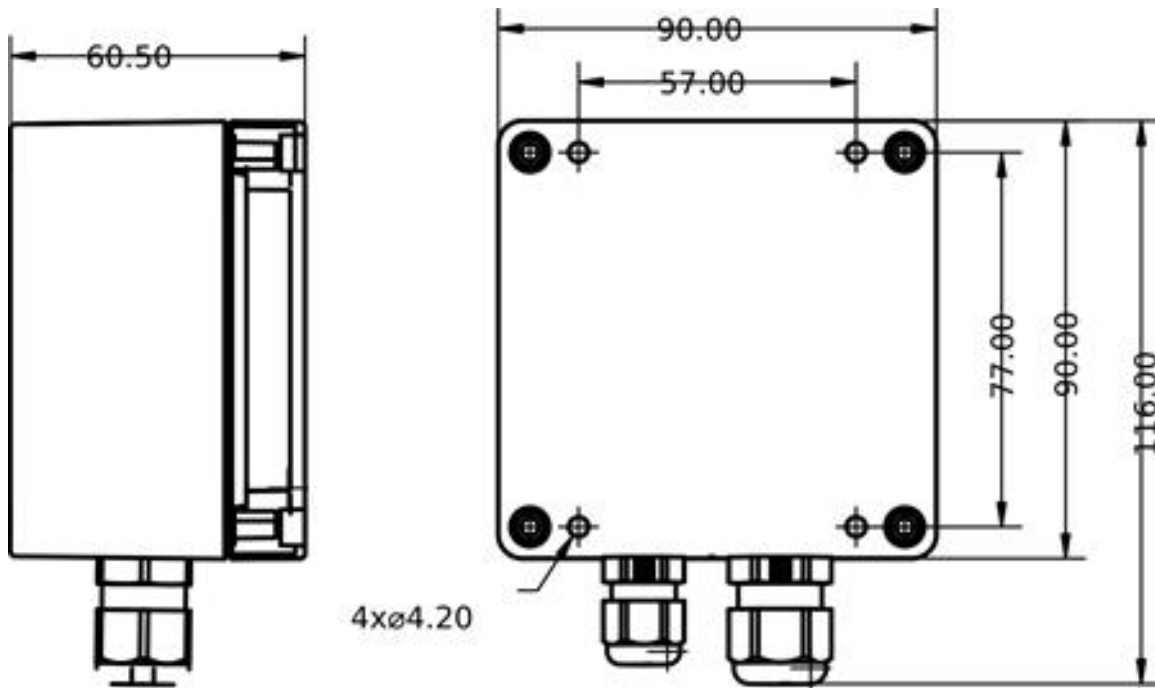
Environmental Data

Operating Temperature	-30°C to +55°C
Storage Temperature	-40°C to +85°C

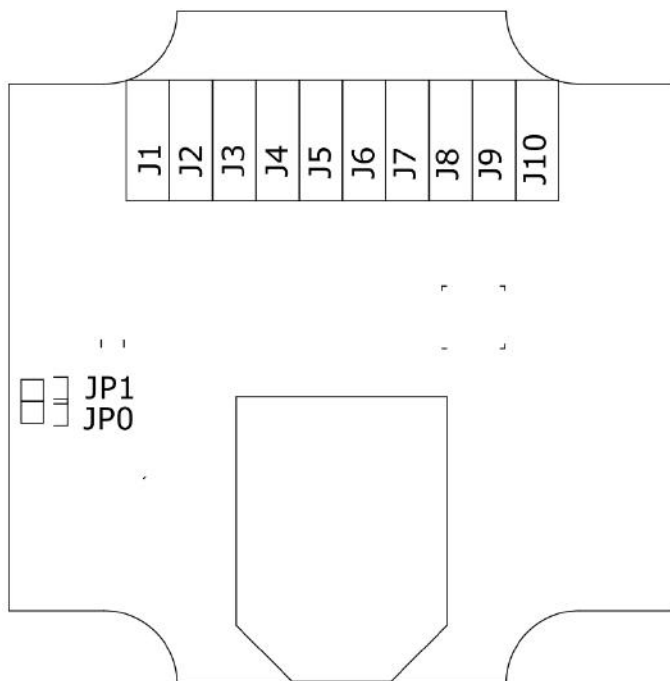
Accessories

LED Obstacle Light (2EL-OBS)
LED Obstacle Light Radio Receiver (2EL-OBS-RCTRL)
Single LED Obstacle Light Mounting Bracket (2EL-OBS-BR)

Dimensions



Cage Clamp Allocation Overview



Product Variants and Order Code

Order Code

2EL-OBS-MRCTRL

Imprint

Adress	BATT Suisse GmbH Sonnentalstrasse 8 8600 Dübendorf Switzerland
E-Mail	info@batt-suisse.ch
Telephone	+41 43 333 81 57
Website	www.batt-suisse.ch
Published	08.12.2021
Copyright	BATT Suisse GmbH reserves the right to change technical data and details at any point in time. Errors may occur. All rights reserved. Publication, copying, distribution, exhibition, representation and/or reproduction in any form or utilization are explicitly prohibited without prior approval by BATT Suisse GmbH.
