

5" Inset Lights

5" INSET LED-LIGHT 6I6 CCR SEMI FLUSH

The 5" LED-Inset Light 6I6 Low Intensity Semi Flush is designated as an omnidirectional visual navigation aid for heliports and airports where a 6.6 CCR serial circuit is deployed.

Key Features

- 6.6 CCR serial circuit compatible
- Low propulsion
- Continuous or discrete dimming
- No fogging
- Infrared capability optional available
- 100'000h service lifetime due to optimized electronics and thermal management
- Enhanced surge current protection
- CE certified
- Protection Class IP68 (IEC69598-1)

Design Concept

- Compact design
- Corrosion and UV resistant materials
- Optimized light output due to patented optics concept
- Maximum resistance against intrusion of liquid, dust and mechanical shocks due to fully sealed optics and electronics.

Purpose

- Touch Down and Lift Off Area Light - Green
- Final Approach and Take Off Area Light - White
- Flight Path Alignment Guidance Light - White
- Perimeter Light - Green
- Aim Point Light - White
- Taxiway Edge Light - Blue
- Multi Purpose Light (Warning) - Red
- Runway Threshold, Edge, End Light
- Threshold Wing Bar, Circling Guidance Light



Referred Standards

The 5" Inset LED-Light 6I6 Semi Flush complies with the following industry regulations:

- ICAO Annex 14 Vol. 1 Aerodrome Design and Operations Edition 8/ 2018
- ICAO Annex 14 Vol 2. Heliports Edition 5/ 2020
- ICAO Doc 9157 Aerodrome Design Manual Part 4 Edition 4/ 2004
- ICAO Doc 9157 Aerodrome Design Manual Part 5 Edition 2/ 2017
- ICAO Doc 9261 Heliport Manual Edition 4/ 2020
- EASA CS-HPTDSN Issue 1/ 2019
- CAA CAP 437 Standards for Offshore Helicopter Landing Areas Version 8.2/ 2021
- CASA CAAP 92-2 Guidelines for the establishment and operation of onshore Helicopter Landing Sites/ 2014
- FAA EB 98 Infrared Specifications for Aviation Obstruction Light - Compatibility with Night Vision

Product Specifications

Mechanical Data

Height	Above / Below Flange Front Side	6.1mm / 37.2mm
Diameter	Upper / Lower Flange	120mm / 90mm
Weight	0.65kg	
Packing Dimensions	190 X 190 X 160mm	
Gross Weight	0.9kg	
Material	Optic	Solid PUR, UV-resistant
	Flange	Aluminum anodized
Protection Class	IP68 (IEC69598-1)	
Recommended Mounting	4x M5x8mm V4A countersunk head screws	

Electrical Data

Operating Current	1.8A - 6.7A RMS	
CCR Type	Sine Wave and Thyristor	
Powerfactor	>70%	
Power Consumption	Idle (without / with IR)	5.2W / 5.3W
	Blue (without / with IR)	9.8W / 9.9W
	Green (without / with IR)	9.8W / 9.9W
	Green/Red (without / with IR)	14.1W / 14.6W
	Red (without / with IR)	9.8W / 9.9W
	White (without / with IR)	9.8W / 9.9W
	White 100cd (without / with IR)	14.1W / 14.6W
	Amber (without / with IR)	9.8W / 9.9W
	Surge Protection	8/20 μ s
		10kA 1 time
1.2/50 μ s		10kV 10 times
Failure Detection	Fail Open with magnetic reset	
Power Cable	Length	25cm
	Material	TPE
	Diameter	\varnothing 6mm, 2x 3.2mm ²
	Connector	FAA L-823 Style 6

Product Specifications

Illuminating Data

Color	Blue	CIE X0.14 Y0.07
	Green	CIE X0.17 Y0.71
	Red	CIE X0.70 Y0.30
	White	CIE X0.34 Y0.37
	Amber	CIE X0.40 Y0.41
Luminosity	Blue	5cd
	Green	35cd
	Red	20cd
	White	35cd /100cd
	Amber	35cd
Dimming	Visible	Continuous 0-100% / Discrete 0, 10, 30, 100%
	Infrared	Not dimmable, continuous on
Infrared Option	Wavelength	850nm
	Radiant Intensity	20mW/sr, CW, 15-60° elevation
	Wattage	120mW

Referred Standards

ICAO Annex 14 Vol 1. Aerodrome Design and Operation Edition 8/ 2018

FAA Engineering Brief 67D Light Sources others than Incandescent and Xenon/ 2012

IEC TS 61827 Electrical Installations for Lighting and Beacons of Aerodrome/ 2004

IEC TS 61822 Electrical Installations for Lighting and Beacons of Aerodrome - Constant current Regulators/ 2009

Environmental Condition

Operating Temperature	-40°C to +55°C
Storage Temperature	-40°C to +85°C
Solar Radiation Resistance	1kW/m ² , superimposed with operating temperature

Service Life

Service Lifetime	> 100'000h
------------------	------------

Accessories

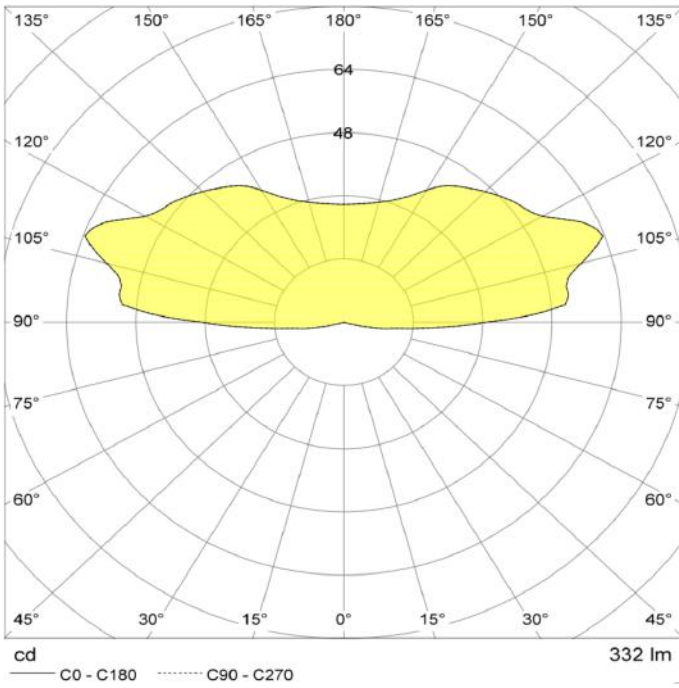
8-5" Adaptor Ring (2IL8-AR-85)

5" Shallow Base (2IL5-SB)

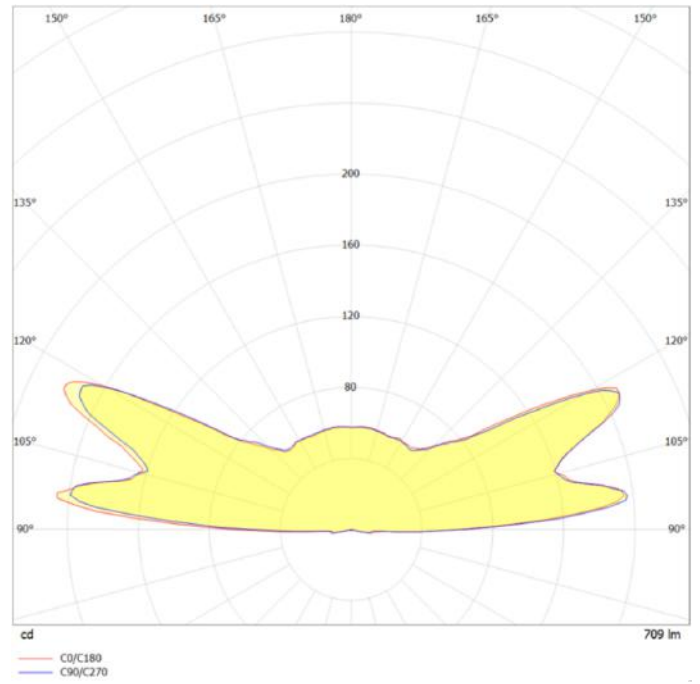
M5x8mm V4A countersunk head screws

90x3mm O-Rings

Light Distribution

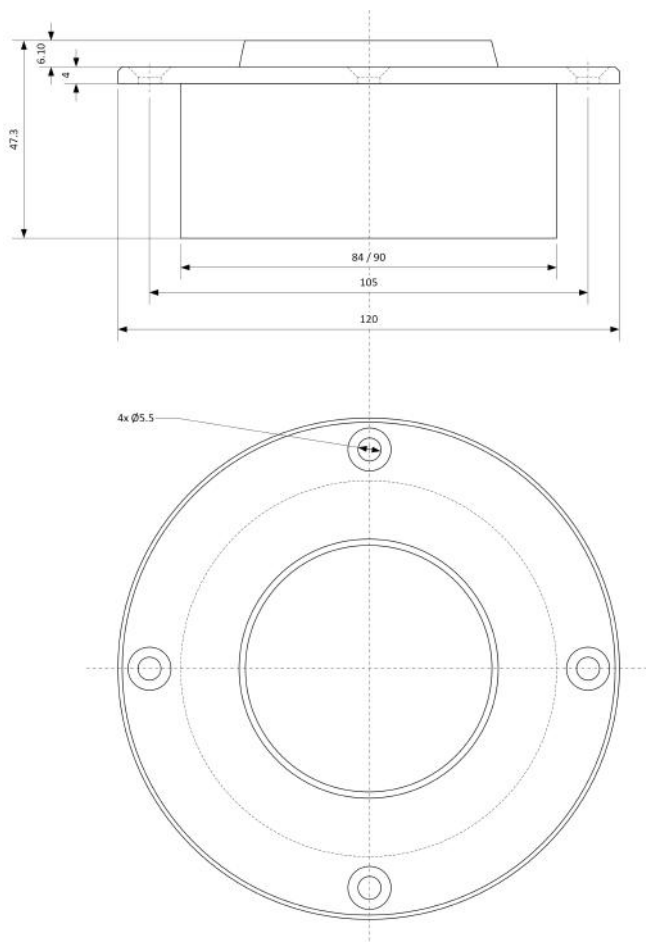


2IL5-SF-6i6-A-0-G (Application: TLOF)

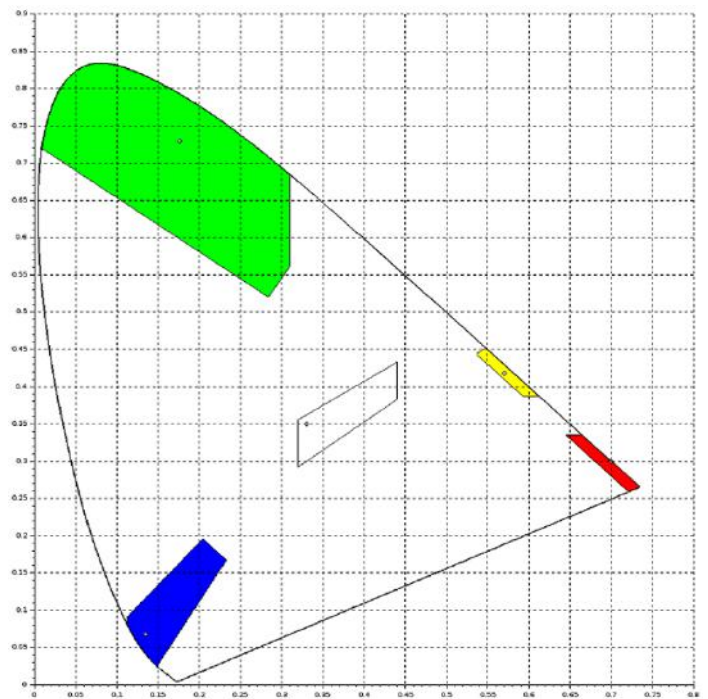


2IL5-SF-6i6-A-0-W1 (Application: FATO)

Dimensions



Chromaticity



Product Variants and Order Code

Order Code	Color							IR Option
	Blue	Green	Red	Green /Red	White	White 100cd	Amber	
2IL5-SF-6I6-A-0-B	x							
2IL5-SF-6I6-A-0-B-NVG	x							x
2IL5-SF-6I6-A-0-G		x						
2IL5-SF-6I6-A-0-G-NVG		x						x
2IL5-SF-6I6-A-0-R			x					
2IL5-SF-6I6-A-0-R-NVG			x					x
2IL5-SF-6I6-A-0-GR				x				
2IL5-SF-6I6-A-0-GR-NVG				x				x
2IL5-SF-6I6-A-0-W					x			
2IL5-SF-6I6-A-0-W-NVG					x			x
2IL5-SF-6I6-A-0-W1						x		
2IL5-SF-6I6-A-0-W1-NVG						x		x
2IL5-SF-6I6-A-0-Y							x	
2IL5-SF-6I6-A-0-Y-NVG							x	x

Imprint

Adress	BATT Suisse GmbH Sonnentalstrasse 8 8600 Dübendorf Switzerland
E-Mail	info@batt-suisse.ch
Telephone	+41 43 333 81 57
Website	www.batt-suisse.ch
Published	24.01.2022
Copyright	BATT Suisse GmbH reserves the right to change technical data and details at any point in time. Errors may occur. All rights reserved. Publication, copying, distribution, exhibition, representation and/or reproduction in any form or utilization are explicitly prohibited without prior approval by BATT Suisse GmbH.
