

## Elevated Obstacle Light

## LED OBSTACLE LIGHT POWER SUPPLY

The Obstacle Light Power Supply is dedicated as a power supply for single or dual BATT LED obstruction lights. It ensures a safe and continuous power supply for the illumination of aviation obstacles. With an optional integrated GNSS receiver, the IR Flash sequence of the obstacle light can be synchronized.

### Key Features

---

- Optimized sealing concept against the intrusion of liquids and dust - IP 67 (IEC69598-1)
- Optional GNSS based IR flash synchronization
- 10 Cage clamp connectors
- Dry contact failure monitoring output
- CE certified

### Design Concept

---

- Compact and modular design
- Simple mounting concept

### Product Specifications

---

#### Mechanical Data

---

Height	116mm
Width	90mm
Depth	60.5mm
Net Weight	0.25kg
Packing Dimensions	190 x 190 x 160mm
Gross Weight	0.4kg
Material	PC (UV stabilized)
Protection Class	IP67 (IEC69598-1)
Recommended Mounting	4x M4 screws

---



## Product Specifications

### Electrical Data

Operating Voltage	100 - 240V (50/60Hz)	
Operating Current	Light off	3.5mA (230VAC)
	Light on	30mA (230VAC)
Cage Clamp	10x 0.75-1.5mm <sup>2</sup>	
Transition Time	<0.5s*	
Cable Glands	Power Supply & Monitoring	Ø4 - 10mm
	Power Supply Main Light	Ø3.5 - 7mm
	Power Supply Backup Light*	Ø3.5 - 7mm
Cage Clamp Allocation	J1	Power Supply L1 (100-230VAC)
	J2	Power Supply L1 (100-230VAC)
	J3	Dry Contact 1 Failure Monitoring (Fail Open)
	J4	Dry Contact 2 Failure Monitoring (Fail Open)
	J5	Power Supply Main Light (24VDC)
	J6	Main Light Ground (0V)
	J7	Main Light Monitor
	J8*	Power Supply Backup Light (24VDC)
	J9*	Backup Light Ground (0V)
	J10*	Backup Light Monitor
GNSS IR Flash Synchronization**	Adjustable IR Flash rate	1 - 3s (0.25s steps)
	IR Flash rate set by 3 jumpers	
	Compatible GNSS	GPS/QZSS, Galileo, GLONASS

### Environmental Data

Operating Temperature	-40°C to +55°C
Storage Temperature	-40°C to +85°C

### Accessories

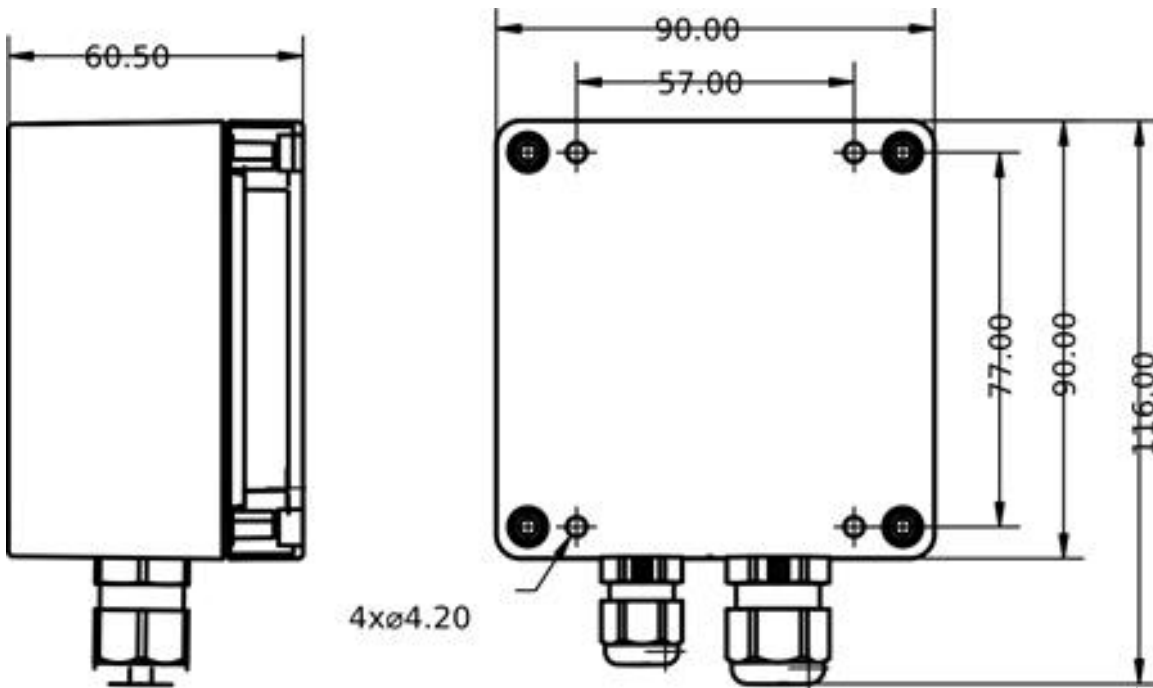
LED Obstacle Light (2EL-OBS)

Single or Dual LED Obstacle Light Mounting Bracket (2EL-OBS-BR / 2EL-OBS2-BR)

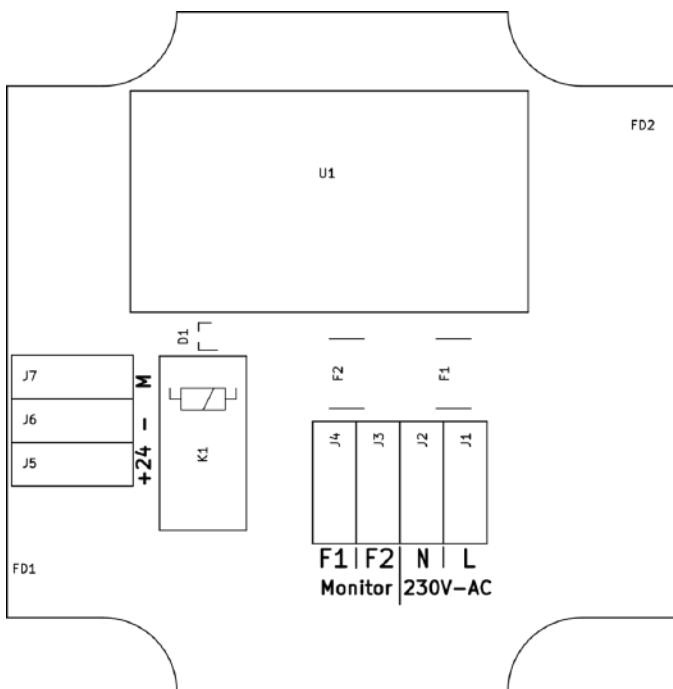
\* Only applicable to Dual Obstacle Light Power Supply (2EL-OBS2-PWR)

\*\* Only applicable to Single or Dual Obstacle Light Power Supply with Trigger (2EL-OBS-PWR-TRIG)

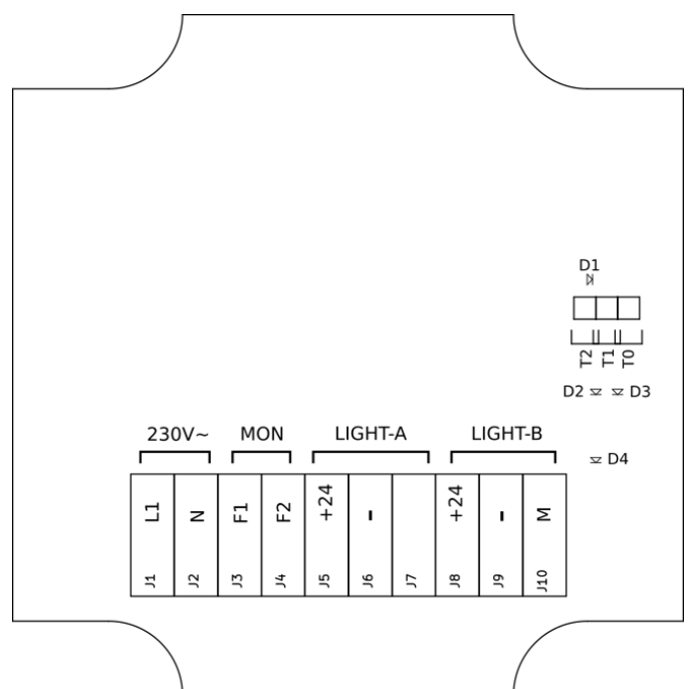
Dimensions



Cage Clamp Allocation Overview



Single Obstacle Light Power Supply



Dual Obstacle Light Power Supply

**Product Variants and Order Code**

Order Code	Dual OBS Power Supply	IR Flash sync.
2EL-OBS-PWR		
2EL-OBS2-PWR	x	
2EL-OBS-PWR-TRIG		x
2EL-OBS2-PWR-TRIG	x	x

---

**Imprint**

---

Adress	BATT Suisse GmbH Sonnentalstrasse 8 8600 Dübendorf Switzerland
--------	---

---

E-Mail	info@batt-suisse.ch
--------	---------------------

---

Telephone	+41 43 333 81 57
-----------	------------------

---

Website	www.batt-suisse.ch
---------	--------------------

---

Published	08.12.2021
-----------	------------

---

Copyright	BATT Suisse GmbH reserves the right to change technical data and details at any point in time. Errors may occur. All rights reserved. Publication, copying, distribution, exhibition, representation and/or reproduction in any form or utilization are explicitly prohibited without prior approval by BATT Suisse GmbH.
-----------	---

---