

5" Inset Lights

5" INSET LED-LIGHT 24VDC FULL FLUSH

The 5" LED-Inset Light Full Flush is designated as an omnidirectional visual aid for heliports. It is used on structures located on- or offshore and vessels where propulsion is unwanted due to operational reasons.

Key Features

- Steady or discrete dimming
- No propulsion
- Version with reduced inset diameter available
- No fogging
- Infrared capability optional available
- 100'000h service lifetime due to optimized electronics and thermal management
- Safety extra-low voltage compliant
- Enhanced surge current protection
- CE certified
- Protection Class IP68 (IEC69598-1)

Design Concept

- Compact design
- Corrosion and UV resistant materials
- Optimized light output due to patented optics concept
- Maximum resistance against intrusion of liquid, dust and mechanical shocks due to fully sealed optics and electronics.



Purpose

- Touch Down and Lift Off Area Light
- Final Approach and Take Off Area Light
- Flight Path Alignment Light
- Flight Path Alignment Guidance Light
- Perimeter Light
- Aim Point Light
- Helicopter Taxiway Edge Light
- Multi Purpose Light (Warning)

Product Specifications

Mechanical Data

Height	Above / Below Flange Front Side	0mm / 40mm
Diameter	Upper / Lower Flange	120mm / 90mm or 84mm
Net Weight	0.65kg	
Packing Dimensions	190 X 190 X 160mm	
Gross Weight	0.9kg	
Material	Optic	Solid PUR, UV-resistant
	Flange	Aluminum anodized
Protection Class	IP68 (IEC69598-1)	
Recommended Mounting	4x M5x8 V4A countersunk head screws	

Electrical Data

Operating Voltage	24VDC \pm 6V	
Power Consumption	Idle (without / with IR)	0.3W / 0.5W
	Blue (without / with IR)	5.3W / 5.5W
	Green (without / with IR)	9.6W / 9.9W
	Red (without / with IR)	9.6W / 9.9W
	White (without / with IR)	5.3W / 5.5W
	Amber (without / with IR)	9.6W / 9.9W
Surge Protection	8/20 μ s	5kA 10 times
		10kA 1 time
	1.2/50 μ s	10kV 10 times
Power Cable	Length	40cm with ferrules
	Material	PUR
	Diameter (coated)	\varnothing 6mm, 3x 0.75mm ²
	Wire Assignment	Red: +24V
		Blue: 0V
	Dim 9.5V - 0.5V	

Product Specifications

Illuminating Data

Color	Blue	CIE X0.14 Y0.07
	Green	CIE X0.17 Y0.71
	Red	CIE X0.70 Y0.30
	White	CIE X0.34 Y0.37
	Amber	CIE X0.40 Y0.41
Luminosity	Blue	5cd
	Green	35cd
	Red	20cd
	White	35cd
	Amber	35cd
Dimming	Visible	Steadily 0-100% / Discrete 0, 10, 30, 100%
	Infrared	Not dimmable, continuous on
Infrared Option	Wavelength	850nm
	Radiant Intensity	20mW/sr, CW, 15-60°
	Wattage	120mW

Referred Standards

ICAO Annex 14 Vol 1. Aerodrome Design and Operation Edition 8/ 2018

FAA Engineering Brief 67D Light Sources others than Incandescent and Xenon/ 2012

IEC TS 61827 Electrical Installations for Lighting and Beacons of Aerodrome/ 2004

Environmental Condition

Operating Temperature	-40°C to +55°C
Storage Temperature	-40°C to +85°C
Solar Radiation Resistance	1kW/m ² , superimposed with temperature

Service Life

Service Lifetime	> 100'000h
------------------	------------

Accessories

5-8" Adaptor Ring (2IL8-AR-58)

8" Shallow Base (2IL8-SB-8)

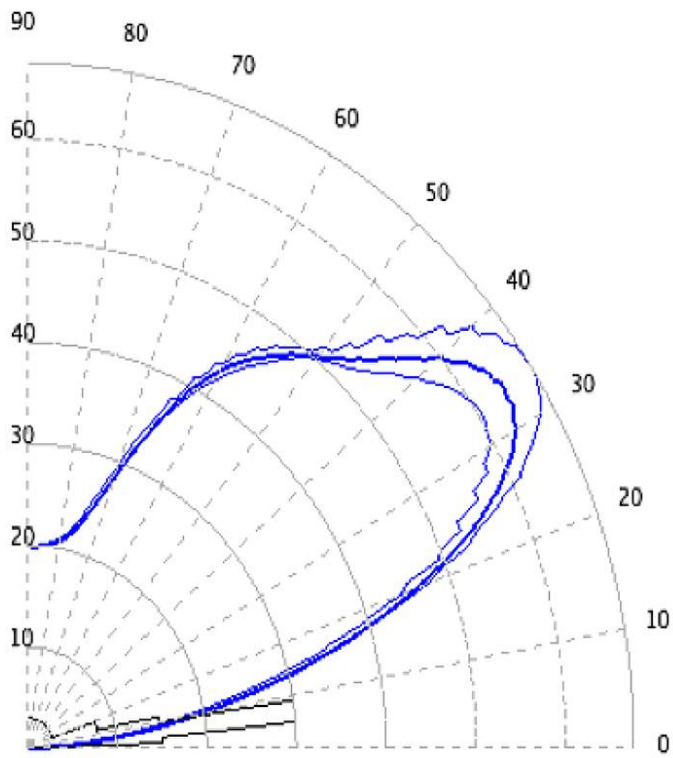
BATTCon Heliport Control System

M5x8 V4A countersunk head screws

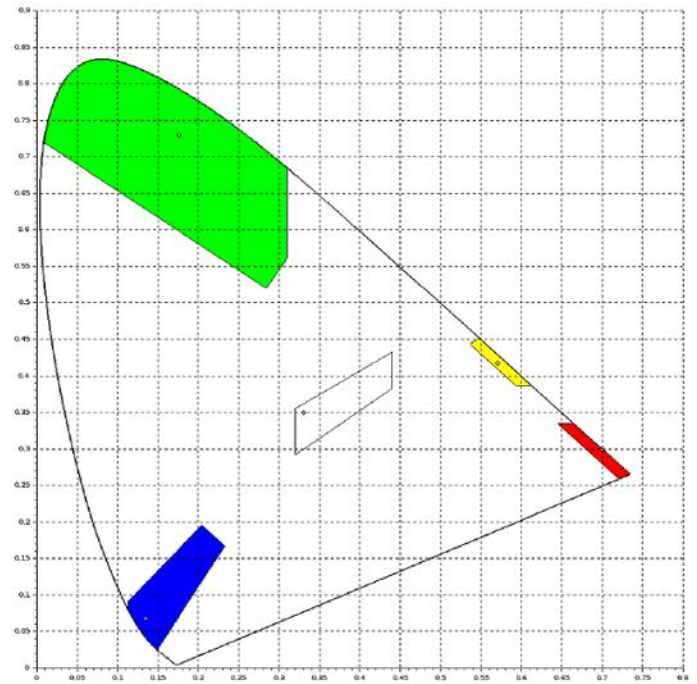
90x3mm O-Rings

Gel Closure

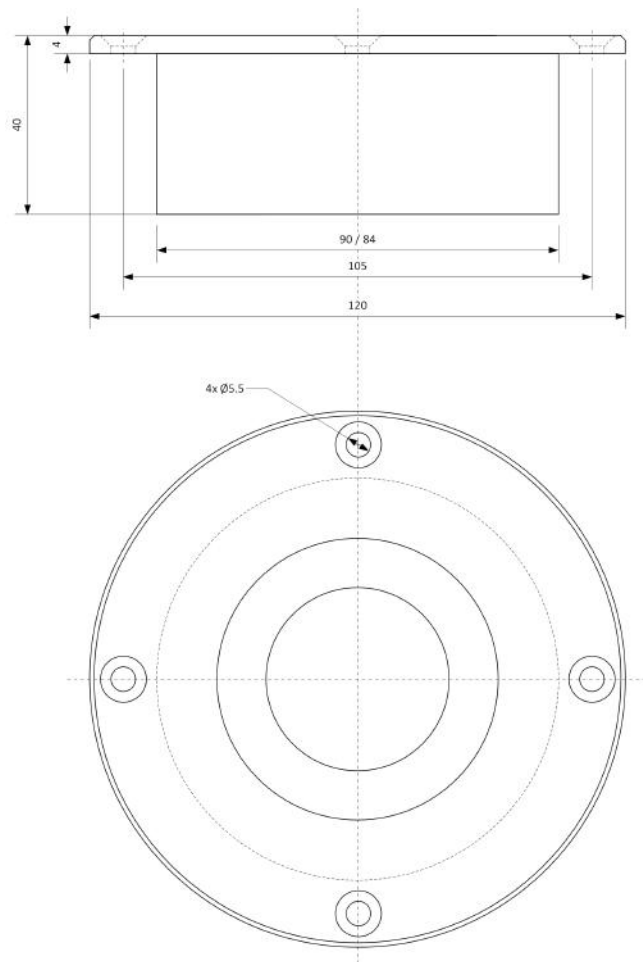
Light Distribution



Chromaticity



Dimensions



Product Variants and Order Code

Order Code	Diameter		Color					IR Option
	84mm	90mm	Blue	Green	Red	White	Amber	NV Gen.
2IL5-FF-24-A-0-B		x	x					
2IL5-FF-24-A-0-B-NVG		x	x					x
2IL5-FF-24-A-0-G		x		x				
2IL5-FF-24-A-0-G-NVG		x		x				x
2IL5-FF-24-A-0-R		x			x			
2IL5-FF-24-A-0-R-NVG		x			x			x
2IL5-FF-24-A-0-W		x				x		
2IL5-FF-24-A-0-W-NVG		x				x		x
2IL5-FF-24-A-0-Y		x					x	
2IL5-FF-24-A-0-Y-NVG		x					x	x
2IL5-FF-84-24-A-0-B	x		x					
2IL5-FF-84-24-A-0-B-NVG	x		x					x
2IL5-FF-84-24-A-0-G	x			x				
2IL5-FF-84-24-A-0-G-NVG	x			x				x
2IL5-FF-84-24-A-0-R	x				x			
2IL5-FF-84-24-A-0-R-NVG	x				x			x
2IL5-FF-84-24-A-0-W	x					x		
2IL5-FF-84-24-A-0-W-NVG	x					x		x
2IL5-FF-84-24-A-0-Y	x						x	
2IL5-FF-84-24-A-0-Y-NVG	x						x	x

Imprint

Adress	BATT Suisse GmbH Sonnentalstrasse 8 8600 Dübendorf Switzerland
E-Mail	info@batt-suisse.ch
Telephone	+41 43 333 81 57
Website	www.batt-suisse.ch
Published	07.12.2021
Copyright	BATT Suisse GmbH reserves the right to change technical data and details at any point in time. Errors may occur. All rights reserved. Publication, copying, distribution, exhibition, representation and/or reproduction in any form or utilization are explicitly prohibited without prior approval by BATT Suisse GmbH.
