

# SHALLOWBASE FOR 5" INSET LIGHTS BATT 2IL5 SERIES

- 2IL5-SBDUCT0
- 2IL5-SBTRENCH-0
- 2IL5-SBTRENCH-1
- 2IL5-SBTRENCH-2

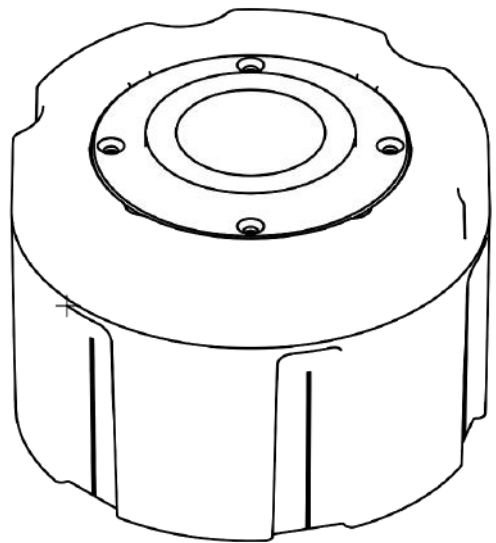
The Shallow Base is dedicated for the installation of BATT 5" Inset LED Lights and Elevated Floodlight TARMAC on concrete surfaces.

## Key Features

- Corrosion resistant Aluminum die-cast housing
- Optimized dimensions for minimum coring diameter and depth with optimized volume for comfortable handling of connectors, installation and placement of joints and terminators
- Water and dust proof version available (IL5-SB-TRENCH)

## Referred Standards

- FAA AC 150/5345-46E Specification for Runway and Taxiway Light Fixture
- IEC TS 61827 Electrical installations for lighting and beaconing of aerodromes



## Recommendations

For longevity of the installation and to ensure the required heat dissipation of the LED fixture, it is strongly recommended to case or core a hole in either tarmac or concrete of min diameter 200mm X 140mm, center and level the shallow base in the hole and pour in an epoxy compound (e.g. cds-Pouring Concrete UW) for fixation.

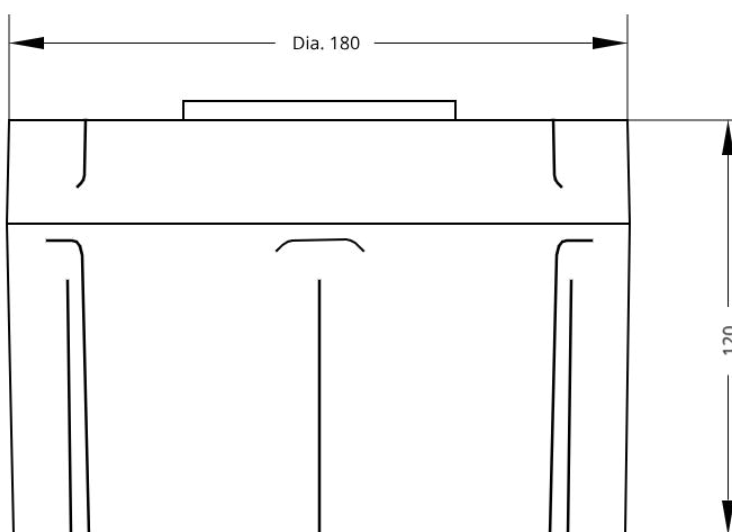
| Product variant | Description   |
|-----------------|---|
| 2IL5-SBDUCT0    | Bottom hole D 77mm for Pipes and Ducts DN75 (Outer D 76mm according to IEC/EN 61834-24) |
| 2IL5-SBTRENCH-0 | No Hole, No Cable Glands  |
| 2IL5-SBTRENCH-1 | 1x Cable Glands M20x1.5 (24 KW) for cables 7-12mm outer diameter                        |
| 2IL5-SBTRENCH-2 | 2x Cable Glands M20x1.5 (24 KW) for cables 7-12mm outer diameter                        |

## Product Specifications

### Mechanical Data

|                      |  |                                     |
|----------------------|--|-------------------------------------|
| Overall Depth        | 120mm  |                                     |
| Outer Diameter       | 180mm (suitable for 200-220mm core holes)                            |                                     |
| Inner Depth          | 92mm   |                                     |
| Inner Diameter       | 140mm  |                                     |
| Bearing Strength     | 8.15t  |                                     |
| Net Weight           | 1.8kg  |                                     |
| Packing Dimensions   | 200 x 200 x 150mm  |                                     |
| Gross Weight         | 2.1kg  |                                     |
| Material             | Aluminium Die-Cast   |                                     |
| Protection Class     | IP68 (IEC69598-1, with appropriate BATT 2IL5 series light installed) |                                     |
| Recommended Mounting | 5" Inset Light into Shallow Base                                     | 4x M5x8 V4A countersunk head screws |

### Mechanical Dimensions



---

**Imprint**

---

|        |   |
|--------|---|
| Adress | BATT Suisse GmbH<br>Sonnentalstrasse 8<br>8600 Dübendorf<br>Switzerland |
|--------|---|

---

|        |                     |
|--------|---------------------|
| E-Mail | info@batt-suisse.ch |
|--------|---------------------|

---

|           |                  |
|-----------|------------------|
| Telephone | +41 43 333 81 57 |
|-----------|------------------|

---

|         |                    |
|---------|--------------------|
| Website | www.batt-suisse.ch |
|---------|--------------------|

---

|           |            |
|-----------|------------|
| Published | 08.12.2021 |
|-----------|------------|

---

|           |   |
|-----------|---|
| Copyright | BATT Suisse GmbH reserves the right to change technical data and details at any point in time. Errors may occur. All rights reserved. Publication, copying, distribution, exhibition, representation and/or reproduction in any form or utilization are explicitly prohibited without prior approval by BATT Suisse GmbH. |
|-----------|---|

---