

LOTUS Bi & Omni-directional Elevated Light Series

Datasheet

Runway Edge ELB-REH
Threshold / Runway End ELB-THR/RWE

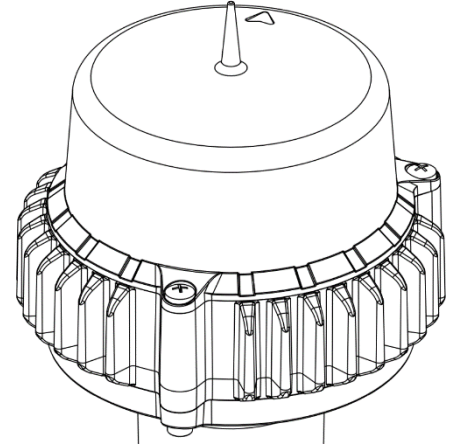


Key Features

- Equipped with omni-directional guiding function
- Optional Infrared Signal – Compatible with Enhanced Vision System
- Fail open with automatic/manual rest at all levels

Conception

- Fully consider the environmental condition
- Minimize the frequency of maintenance
- Design to last forever



Design

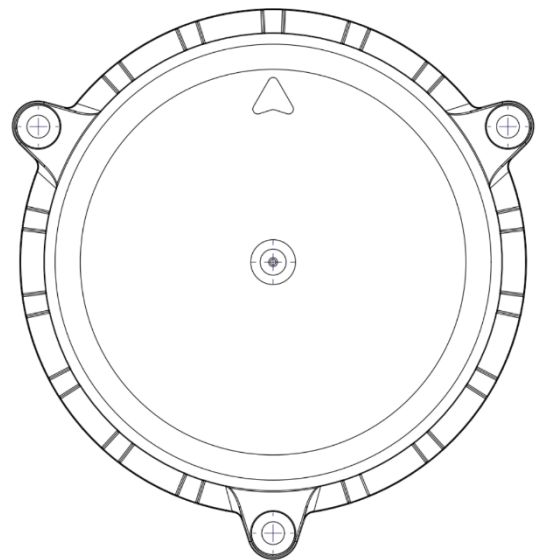
- Adaptive optical system for maximum utilization of the LED performance
- Synchronous Driver Technology- No transformer, low inrush and high-power factor
- Unique Sealing Technique – Silicon sealing for prism installation using a special designed robotic assembling line
- Ultra-Durable Structure – Aluminum casting housing with UV-resistant PC
- Modular Design – Universal components for all series, functions are only distinguished by LED light module

Service Life

- LED Lifetime > 80`000 Hours
- Overall Design Life > 10 Years
- Maintenance Period > 2 Years

Regulation

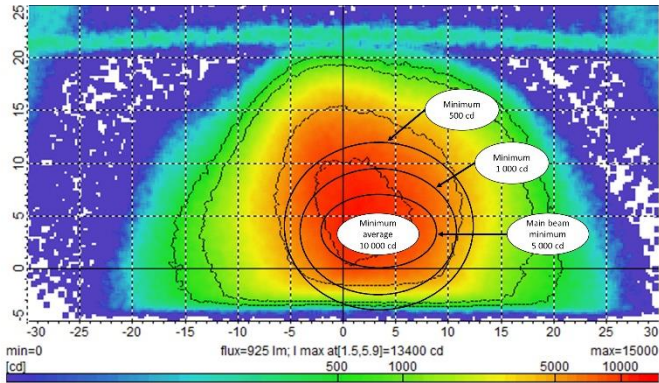
- ICAO Annex 14 Vol. 1 8th. Edition
- Aerodrome Design Manual 9157
- CAAC-AC-137-CA-2015-01 04
- EASA CS-ADR-DSN
- FAA AC150/5345-46E



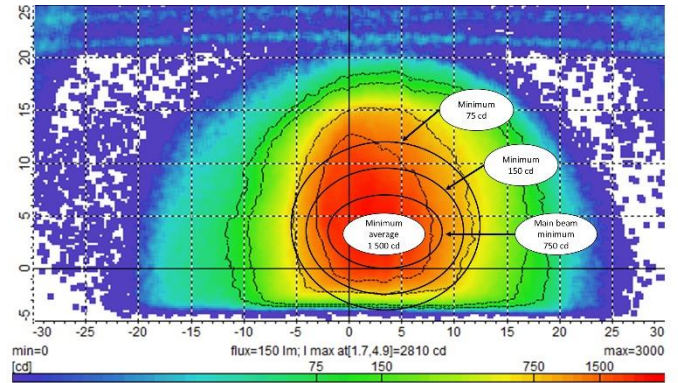
Technical Data

Mechanics		
Diameter	173.4mm	
Height	253mm	
Net weight	3.0kg	
Packing Dimensions	350 x 218 x 216mm	
Gross Weight	3.3kg	
Environmental		
Operating Temperature	-50°C - +55°C (Device must be always active)	
Storage Temperature	-40°C - +85°C	
Solar Radiation	1.5kW/m ²	
Protection Class (Dust/Liquids)	IP68 (IEC69598-1)	
Humidity	0 - 100%	
Electrical		
Connection	FAA L823 Style 1 Connector	
Power Input	2.8 – 6.6A _{eff} AC	
Sinewave CCR	I _{peak max} = 9.88A	
Thyristor CCR	I _{peak max} = 12.60A, φ _{min} = 45°	
Power-Factor (nominal)	>0.97	
Power Consumption (nominal)	REH-Red	<10.0W
	REH-White/Yellow	<18.0W
	REH-White/White	<27.0W
	REH-White/Red	<<16.0W
Fail Open	Reaction on	Output Open Circuit
		Output Short Circuit
		Overheating
Thermal Protection	85°C < LED-PCB Temp < 100°C	Linear derating
	LED-PCB Temp > 105°C	Shutdown & Fail Open
Thermal Degradation Compensation	Luminous Flux @ -40°C - +70°C (LED-PCB Temp)	± 5%
EMC Protection	Emission	IEC 61000-2
	Immunity	IEC 61000-4

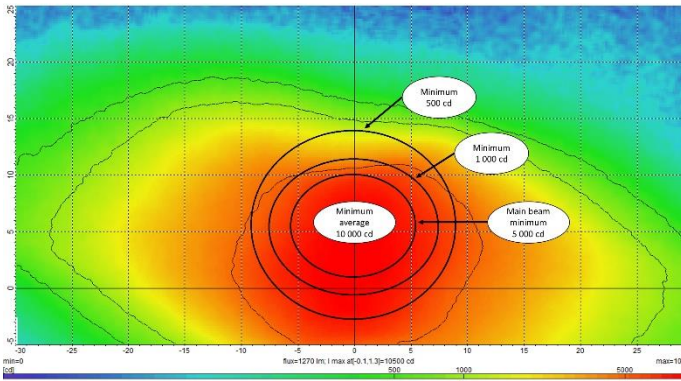
Optical



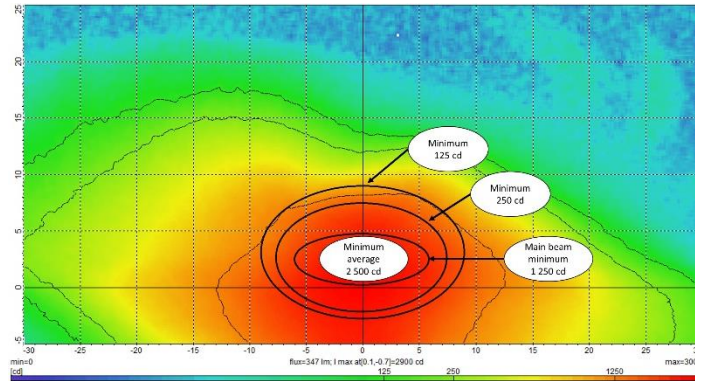
ELB-REH-Red



ELB-REH-White

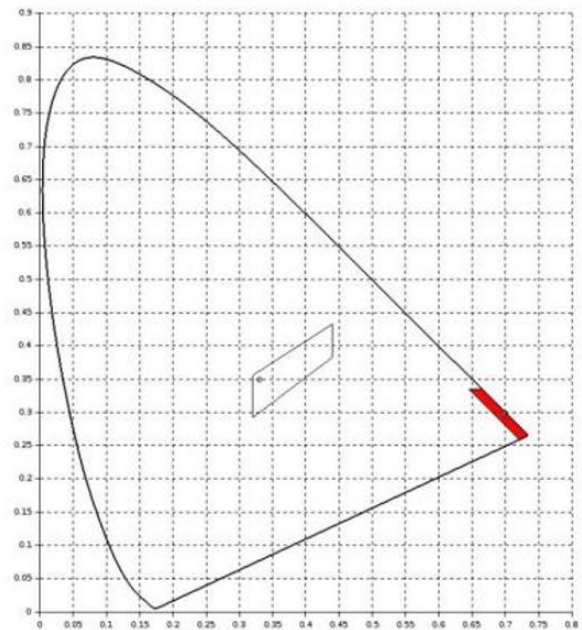
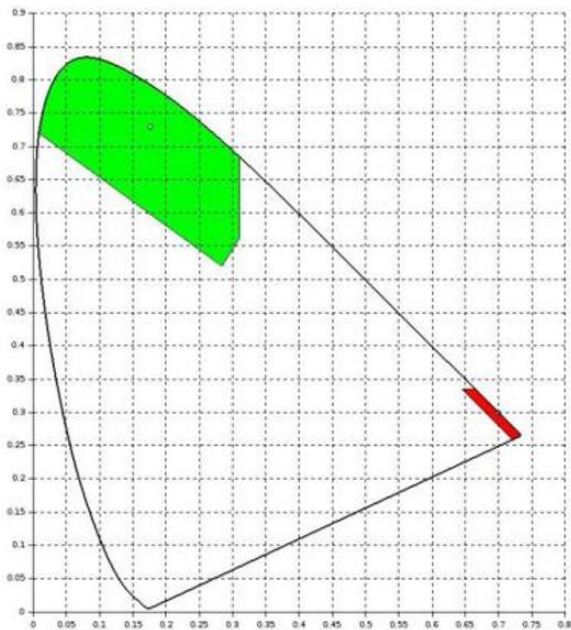


ELB-THR

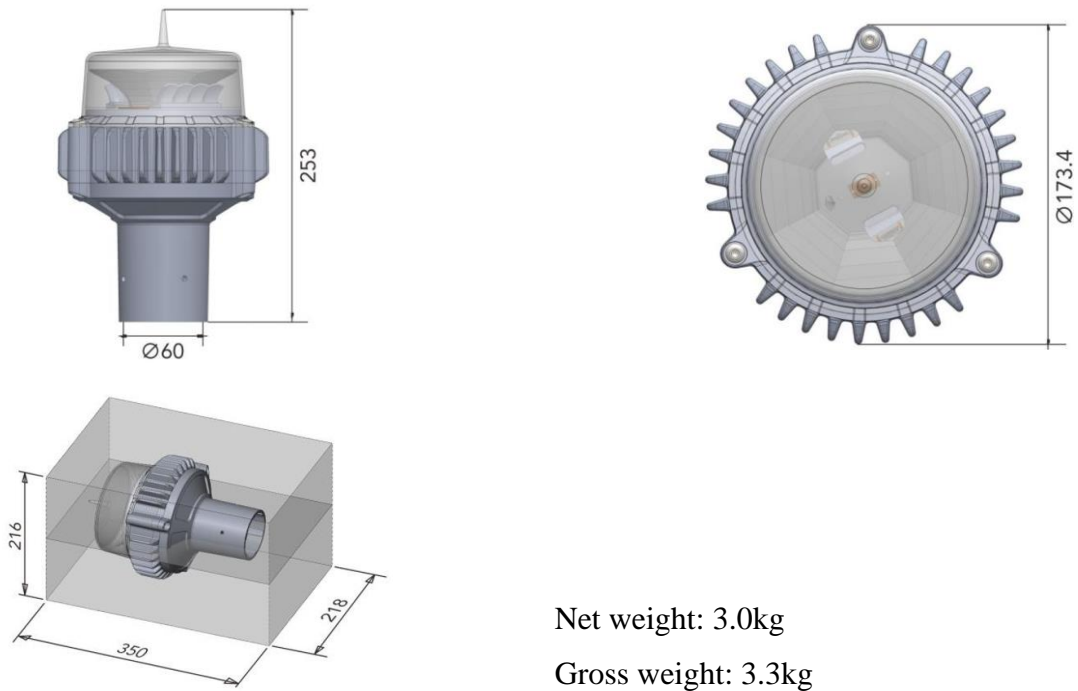


ELB-RWE

Color Coordinates

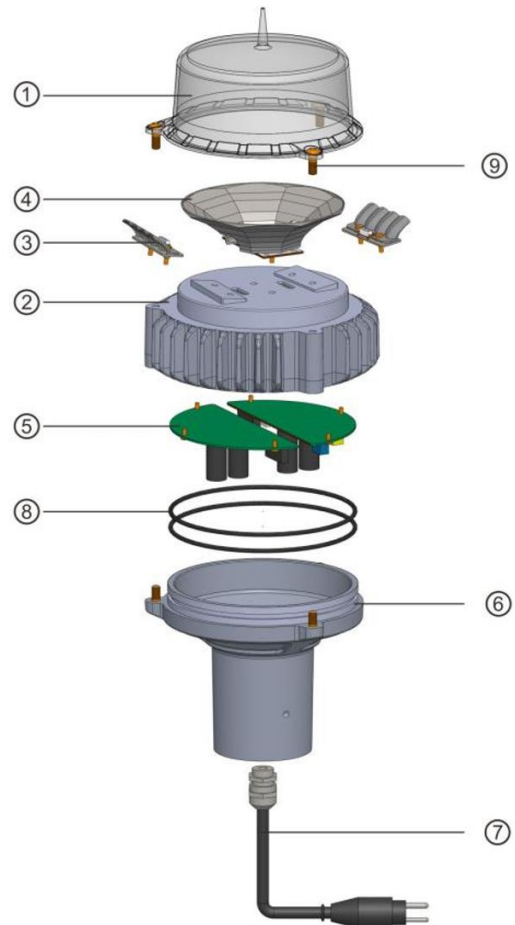


Dimensions



Components

1. PC Dome
2. Top Part
3. Uni-directional Optic Module
4. Electrical Driver
5. Bottom Pan
6. Cable Package
7. Sealing Package
8. Screw Package



Order Codes

EL	B	REH	I	FOA	W	R	W	R	O	IR				
										Infrared Function	-	IR		
										Omni-Direction	-	O		
										2-Outlet Teo In	-	L		
										2-Outlet Color	-	W	Y	R
										1-Outlet Teo In	L	R		
										1-Outlet Color	W	R	Y	G
										Fail Open	-	FOA	FOL	
										Inlets (Cable)	1	2		
										Function	REH	THR RWE		
										Series	A Uni	B Bi	C Omni	
										Inset/Elevated	IL	EL		

You can contact us

Switzerland

BATT Suisse GmbH

Sonnentalstrasse 8

CH 8600 Dübendorf

E-Mail: sales@batt-suisse.ch

China

Hangdakang Mechanical & Electrical Technology

Co., Ltd. Optic and Mechanical Park,

Building No. 10

Wuhan

E-Mail: airport@hdk-aero.com

Phone: +86 27 655 35 43

